

CANGZHOU FUTONG PRECISION MANUFACTURING CO., LTD

Office Address:Room A1112,Nanxincang Building,No.22 Dongsishitiao Street,Dongcheng District,Beijing,China ZIP CODE:100007

Factory Address:No.6,Fengxiang Industrial Area,Nanpi County,Cangzhou City,Hebei Province,China Zip code:061500



Certification



ISO9001:2015



IATF 16949:2016

Company Profile

At Futong Precision Manufacturing, we are a global supplier of precision metal stampings and complex assemblies. We provide turnkey services, from design, tooling development, and sourcing to stamping, finishing, assembly, packaging, and shipping. Every one of our departments works together as a cohesive team and pays attention to every detail to ensure we deliver high caliber products on time and budget. We have a strong 15+ year history as a manufacturer of complex, custom components requiring tight tolerances, and we have an impressive level of customer retention.

Our stamping operations feature presses in the 45-ton to 1,100-ton range, which gives us the versatility to generate parts using thin gauge .004" foils as well as plate measuring up to 0.5" in thickness. We have capabilities in all stamping methods, including progressive die, continuous strip, compound die, deep drawing, etc. By leveraging our integrated knowledge of material properties and stamping technology, we develop the tooling and implement controllable manufacturing processes to repeatably produce dimensionally accurate parts. Materials we frequently work with include carbon steel, aluminum, copper, brass, and an extensive selection of other metals and alloys.

As an ISO 9001 certified metal stamping company, our maintenance program ensures all tooling, dies, press equipment, and quality instruments are in top condition. We inspect all incoming raw materials and carry out first article, in-process, and final inspections. With our coordinated project management, we manage secondary operations such as heat treating, passivation, plating, and other finishing services as well as machining, fabrication, and product assembly through a network of trusted partners.

We manufacture premier quality metals stampings for customers in many different industries, from automotive and aerospace to medical, transportation, and consumer products, to name a few. Some examples include electronic connectors, PCBs, filter components, furniture parts, medical diaphragms, hardware, and containers, among many others. We are customer-focused, reliable, and price competitive. To learn more about our stamping services or to make an inquiry, contact us directly.

Process & Technology Services

Metal stamping service

CNC machining service

Laser cutting service

Welding & assembling service



Detailed Products

Custom metal enclosure

Metal Shelf Brackets

Timber Connectors

Furniture Hardware Parts

Auto Spare Parts

Electronic Components

Custom Machine Parts

Metal stamping service

Stamping (also known as pressing) is the process of placing flat sheet metal in either blank or coil form into a stamping press where a tool and die surface forms the metal into a net shape. Stamping includes a variety of sheet-metal forming manufacturing processes, such as punching using a machine press or stamping press, blanking, embossing, bending, flanging, and coining. This could be a single stage operation where every stroke of the press produces the desired form on the sheet metal part, or could occur through a series of stages. The process is usually carried out on sheet metal. Stamping is usually done on cold metal sheet.

Materials	Stainless steel, Carbon steel, Aluminum, Brass, Bronze, Copper
Material thickness	0.006 and 0.25 inches
Working Process	Bending, Roll forming, Spinning, Deep Drawing, Stretch forming, Shearing, Blanking, Punching, Laser beam cutting, Plasma cutting, Water jet cutting
Surface Treatment	Zinc /Nickel/Chrome plating, Paniting, Powder coating, Polishing, Brushing. Anodic oxidation, Hot dip galvanized
Application	Auto Parts, Machinery, Home Appliance, Electronic Products, Stationery, Computers, Power Switches, Miniature Switches, Architecture, Commodity and A/V Equipment, Hardware and Plastic Molds, Sports Equipment and Gifts, etc.
Certification	ISO9001:2015 and IATF 16949:2016

Order Process

- Step 1: Please supply a drawing or photo with detailed dimensions
- Step 2: Confirm the detailed with our engineers and quote.
- Step 3: Confirm the quotation
- Step 4: Provide invoice to you for payments
- Step 5: Get bank slip for payments and start the samples production
- Step 6: Confirm samples and start the bulk production
- Step 7: Shipment after above information confirmed.

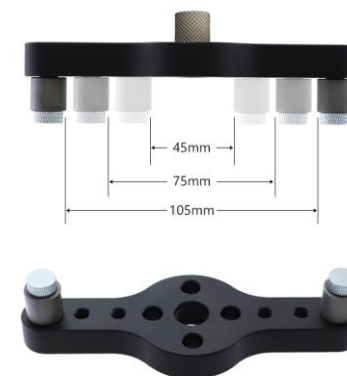
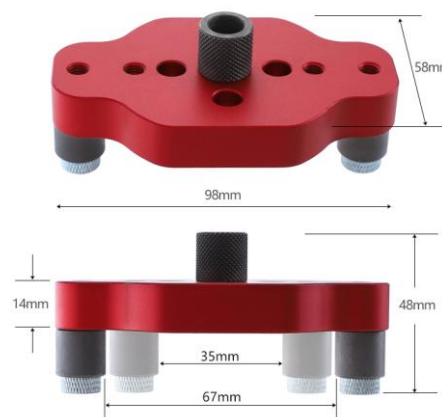


CNC machining service

Machining is a term used to describe a variety of material removal processes in which a cutting tool removes unwanted material from a workpiece to produce the desired shape. The workpiece is typically cut from a larger piece of stock, which is available in a variety of standard shapes, such as flat sheets, solid bars, hollow tubes, and shaped beams. Machining can also be performed on an existing part, such as a casting or forging.

Order Process

- Step 1: Please supply a drawing or photo with detailed dimensions
- Step 2: Confirm the detailed with our engineers and quote.
- Step 3: Confirm the quotation
- Step 4: Provide invoice to you for payments
- Step 5: Get bank slip for payments and start the samples production
- Step 6: Confirm samples and start the bulk production
- Step 7: Shipment after above information confirmed.



Custom metal enclosure



Floating Shelf Brackets



Model Number: FSB2"*1.5"

Pack Quantity

- 4x brackets
- 8x M4x40 screws
- 8x nylon dry-wall plugs
- 8x brick-wall plugs

Size

- Base plate: 8 Gauge Steel
- Length: 2"
- Height: 1.5"

Rod Length

- 4" 6" 8"



Floating Shelf Brackets



Model Number: FSB5"*1"

Pack Quantity

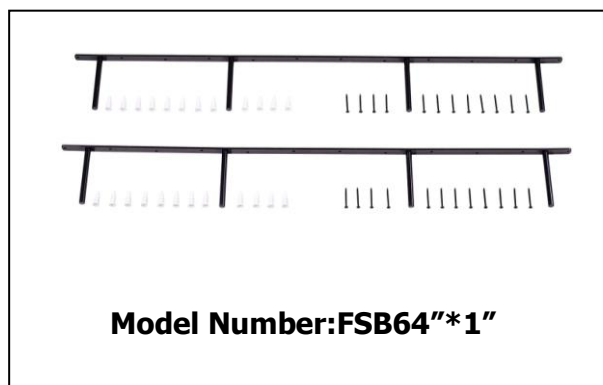
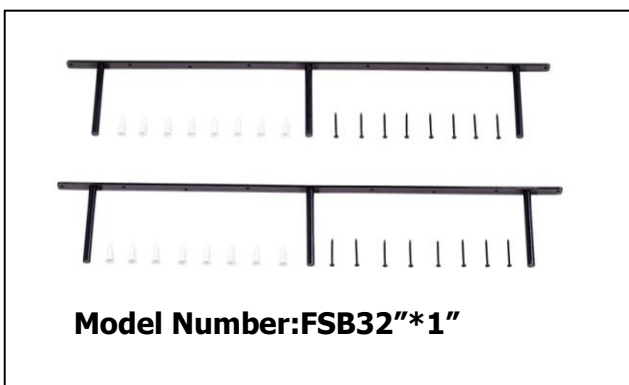
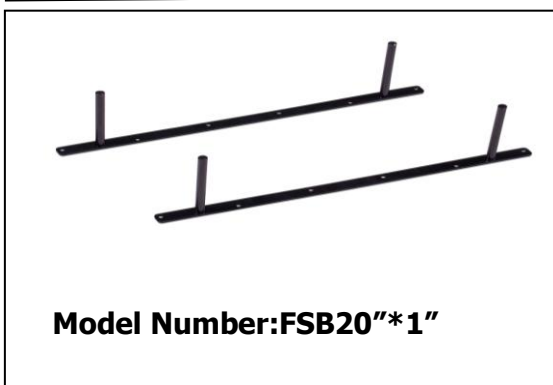
- 4x brackets
- 16xM4x40 screws
- 16x nylon dry-wall plugs
- 16x brick-wall plugs

Size


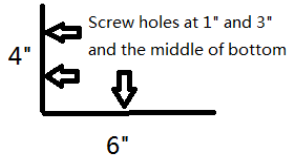
- Base plate: 8 Gauge Steel
- Length: 5.5"
- Height: 1"

Rod Length

- 4" 6" 8"



Heavy Duty Shelf Brackets(4 Pack Includes Hardware)


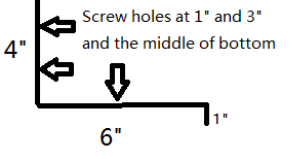
Screw holes at 1" and 3" and the middle of bottom

4"
6"

Model: L Brackets

Material: Steel
Material thickness: 3/16"
Surface: Powder coating

Size:
4"*6"
5"*8"
6"*10"


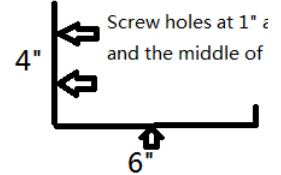
Screw holes at 1" and 3" and the middle of bottom

4"
6" 1"

Model: L Down Brackets

Material: Steel
Material thickness: 3/16"
Surface: Powder coating

Size:
4"*6"
5"*8"
6"*10"

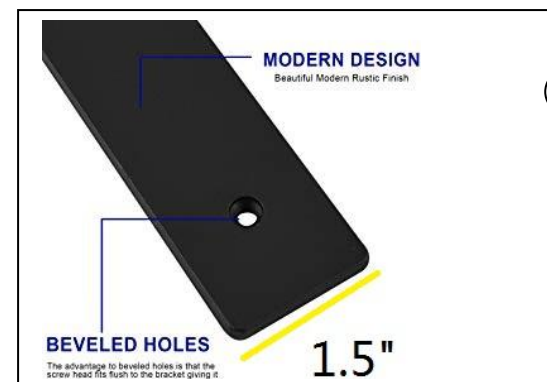
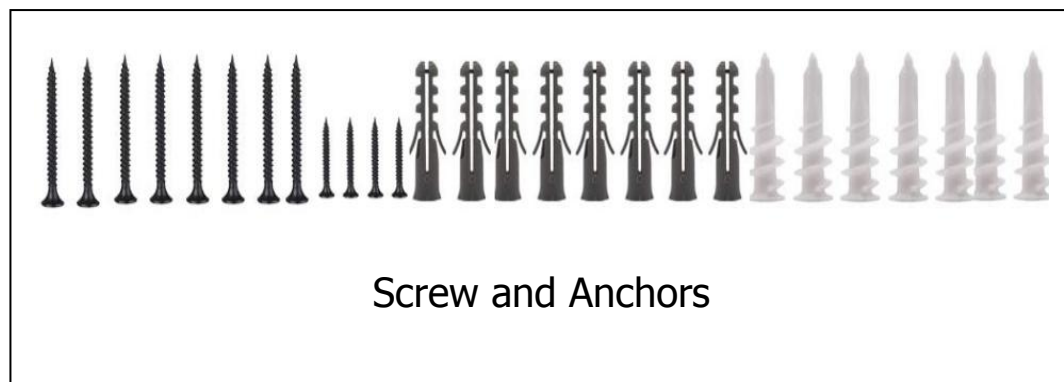
Screw holes at 1" and 3" and the middle of bottom

4"
6"

Model: L Up Brackets

Material: Steel
Material thickness: 3/16"
Surface: Powder coating

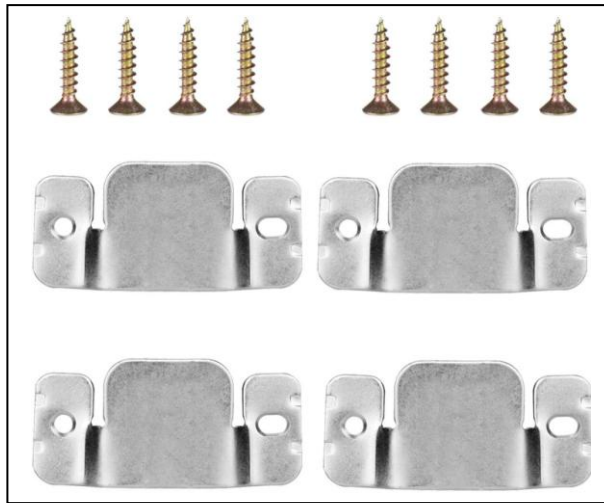
Size:
4"*6"
5"*8"
6"*10"



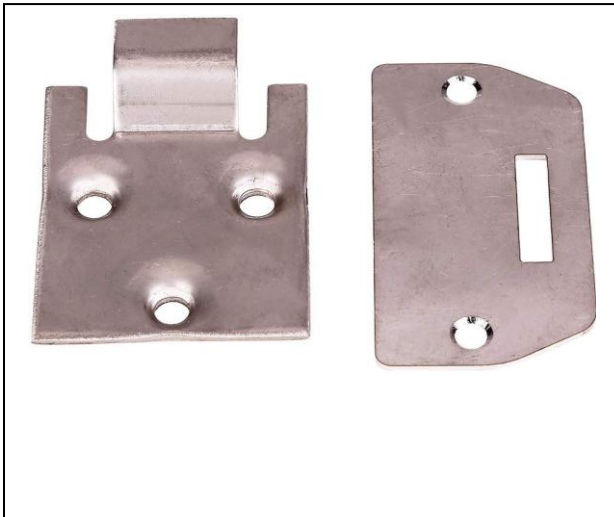
Timber connectors



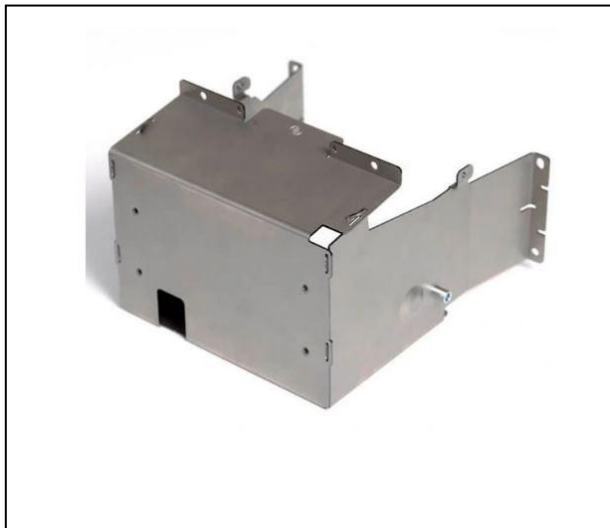
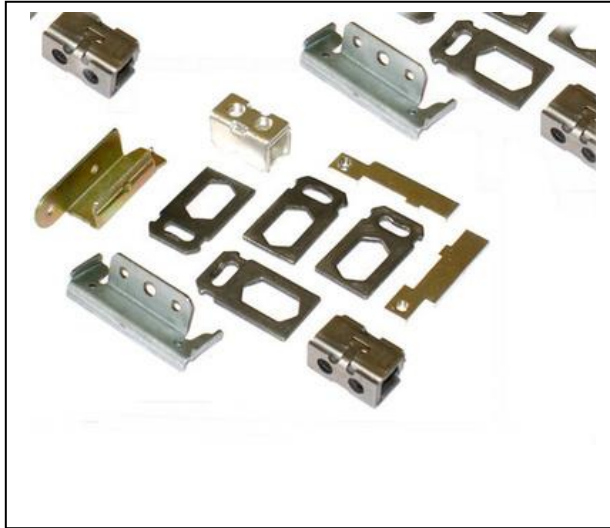
Furniture Hardware Parts (customized)



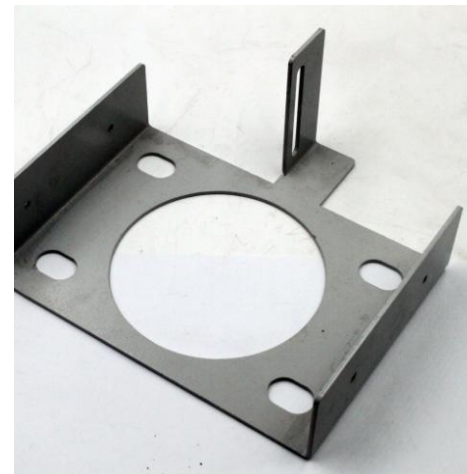
Auto Spare Parts (customized)



Electronic Components (customized)



Custom Machine Parts



Contact Us



Contact Name: James Zhou

Email:info@cangzhoufutong.com

Tel:0086-10-87338783

Whatsapp/Mobile/Wechat: 008613601327260

Address:Room A1112,Nanxincang Building,No.22
Dongsishitiao Street,Dongcheng District,Beijing,China
ZIP CODE:100007